

## INSTALLATION OF SIGNS OVER EIFS



**I**ncorrect installation of signs over EIFS is one of the most common mistakes made in the field. Since most signs are installed after the EIFS is complete, many times the installer does not have the ability to properly prepare for installation of the signage, canopies, gutters, etc. and can therefore allow for water penetration, damage of the EIFS and voiding of the EIFS warranties.

As the designer, if you have the opportunity to plan for the installation of the sign before the EIFS installation, you can eliminate possible future issues.

### PREPARATION OF EIFS FOR SIGNAGE

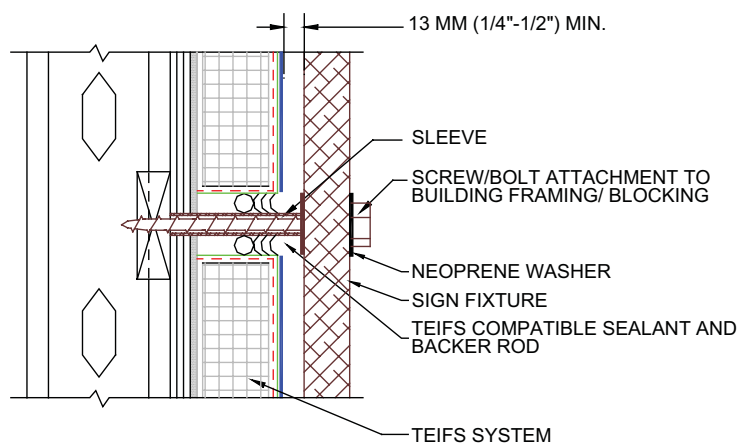
**BLOCKING:** Blocking or structural components are required for non-structural substrates such as gypsum board for the installation of signs.

Whenever possible the EIFS should be backwrapped to encapsulate the insulation board in each opening and the fasteners run through this opening in a bed of sealant. Sleeves shall be installed into each opening to prevent over-tightening of the signage and crushing of the EIFS.

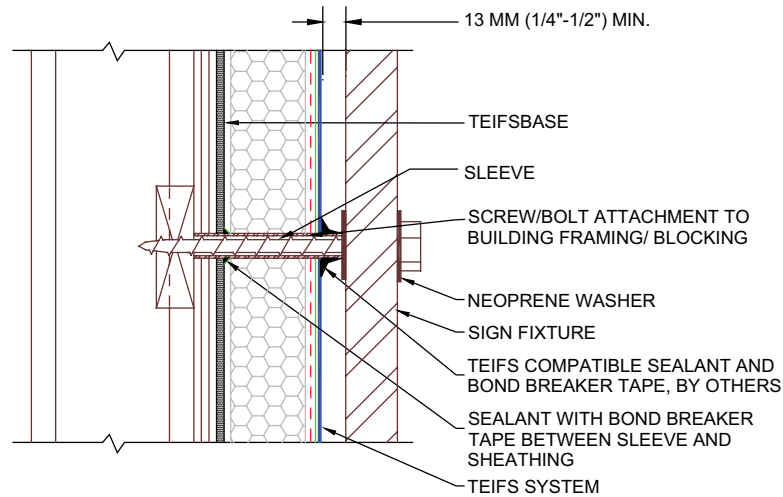
### Typical Installation of Sign Attachment:

- 1) Cut away the EIFS to allow for a "1/4 - 1/2" space around the penetration.
- 2) Coat the exposed EPS with TeifsBase and Reinforcing Mesh and allow to dry for a minimum of 2 days.

**\*\*During this time the opening must be protected from water intrusion\*\***



(OVER)



### Installation

A hole is drilled in the EIFS and lined with Sealant.

A PVC sleeve is installed against the blocking through the hole.

The PVC sleeve is lined with sealant and the signage bold installed through the sleeve.

### WARNINGS:

Penetrations made for signage must be sealed to prevent moisture intrusion into the wall assembly. Failure to properly seal each penetration will allow for moisture entry and eliminate the Teifs Warranty for the EIF System. Teifs assumes no responsibility for the proper fasteners as it relates to structural integrity. EIFS is not structural and cannot support any weight at all.

Service temperature for each sign attached to the EIFS must not exceed 180 °F.

**For more information and examples of improperly installed signs, please click on the link below.**

**Improperly Installed Signs**

**Look for more TekTips coming next quarter!**



220 Burluson • San Antonio, Texas • 78202  
 Phone (210) 472-2935 • Fax (210) 472-2946 • 1-800-358-4785  
 www.teifs.com • teifs@teifs.com